

# technical specifications



## iineo II



### Machine Capability

Tact time	0.138 sec per chip - 26,000 c.p.h. 0.128 sec per chip - 28,000 c.p.h. (Tornado heads)
Placement accuracy	standard 35 $\mu$ m (QFPs) to 60 $\mu$ m (Chips)
Pick up heads	twin rotary turret head on X/Y linear motor gantries with 8 pick ups each; (12 pick ups on Tornado head)
Nozzles	two 40 positions 'smart' nozzle tool banks option 2: additional special nozzle tool bank option 3: additional 20 pos. tool bank (tray sequencer in front)
Component analysis	digital camera, 'on-the-fly' grey scale vision as standard fixed camera in option
Feeder range	full range of intelligent feeders for 8 – 88mm tapes, for components in plastic sticks and matrix trays
Feeder capacity	264 x 8mm tape feeder positions + equivalent 3 or 4 Jedec matrix trays

### Board Handling

Min. pcb size	60 x 60mm
Max. pcb size options:	500 x 460mm (500 x 405mm if tray sequencer at rear) 500 x 600mm - wide (max.132 pos. 8mm) 700 x 460mm - long (700 x 405mm if tray sequencer at rear) 700 x 600mm - long & wide (max.132 pos. 8mm)
Thickness	0.5mm to 4.5mm
Weight	3Kg max.
Under board clearance	25mm
Board location	full edge clamping with fiducial correction
Board edge clearance	3mm above/5mm below
Transport criteria	Left to Right, fixed front rail, height – 950mm (adjustable 890 – 975mm) SMEGA interface

## Component Range

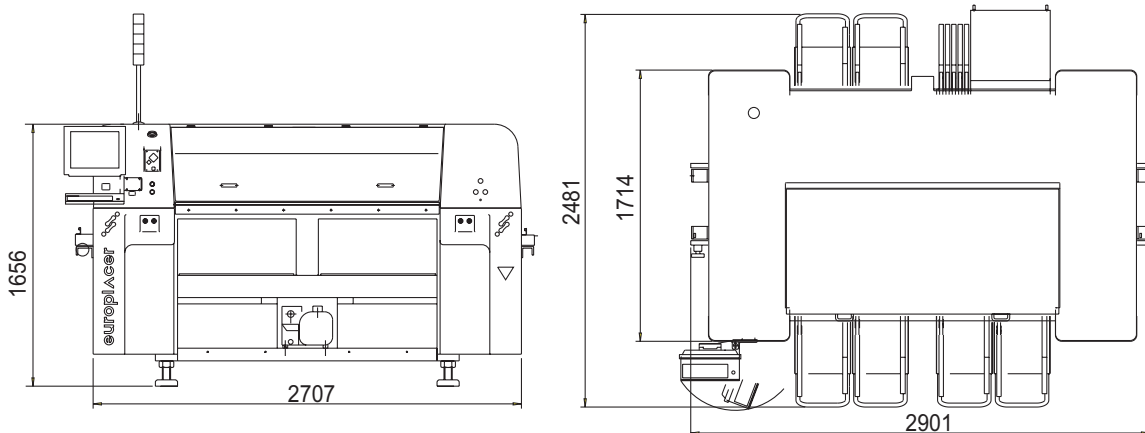
Types	chips in rectangular and cylindrical form, aluminium electrolytic capacitors in can form, SO, PLCC, QFP, TSOP, BGA, $\mu$ BGA, CSP, connectors and other odd-form surface mount devices
Minimum size	0.4mm x 0.2mm (01005)
Maximum size	50x50mm as standard, 70x70mm with fixed camera option, 100mm long connectors
Maximum height	25mm; 35mm in special single component mode using fixed camera and special feeder
Minimum lead pitch	0.4mm as standard, 0.3mm option

## Options

- fixed camera for larger and very fine pitch (0.3mm) components
- feeder trolley options for bulk change of individual feeder and 'mass' tape feeder ranges
- internal fixed tray holder zone 460 x 325mm - 3 Jedec (4 Jedec with option wide board)
- 30 position automatic loader for matrix trays
- electrical component verification
- glue dispenser, glue dispenser with archimedean screw
- automatic width adjust
- additional nozzle magazines
- rear operating station
- Promon Management Information Software
- Total Traceability for boards and components
- Multi job optimisation
- Wireless inventory tracking

## General

Electric	400/210V three phase 50Hz/60Hz, 5 - kVA	Humidity	20 – 80% RH
Air	7 bars, 30 l/min	Weight	2200 Kg (without feeders)
Noise	<70dB (A)	Colour	Eurolacer white Pantone 645 RAL 7043
Working temperature	range 10° - 30°C ideally 20°C $\pm$ 5°C		



Dimensions in mm

**eurolacer**

[www.eurolacer.com](http://www.eurolacer.com)