

X1 Series

Semi-automatic Screenprinter



Description

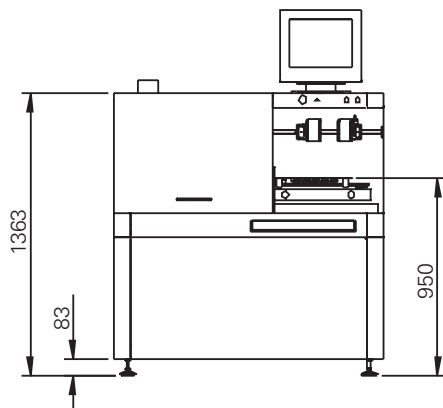
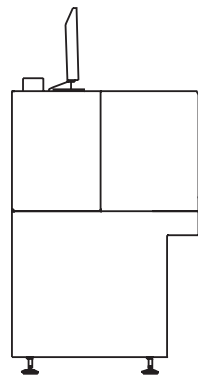
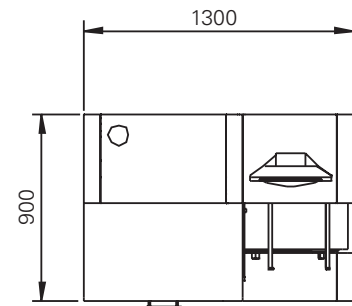
The X1 Series has been developed for areas of application which require optimum precision and economy. As well as these, easy operation, short format conversion times and a great versatility were factors incorporated into the conception of this machine. It is possible to print a large selection of flexible as well as stiff materials, including glass, ceramics, plastics and metals up to a thickness of 25,4 mm.

The X1 Series can process conducting paste, resistance paste, dielectrics, silicon, solder pastes, conductive adhesives, lacquers, and protective layers. These are processed in a precision and quality required in the manufacture of products such as high grade hybrid ICs, multi-layers, LCDs, components, chip carriers, solar cells and also for applications in the SMT area.

Special Features

- _ Semi-automatic
- _ Welded base frame
- _ Motor driven print table with high repeat accuracy
- _ PC-controller with graphic user interface
- _ Motor driven squeegee
- _ Squeegee head with oscillating and swivelling squeegee

X1 Series Semi-automatic Screenprinter

**X 1****X 1 - S****X 1 - SL**

Machine dimensions

	X 1	X 1 - S	X 1 - SL
Length x width x height *	1300 x 950 x 1400 mm	1500 x 1400 x 1400 mm	1600 x 1400 x 1400 mm
Weight	ca. 550 kg	ca. 550 kg	ca. 550 kg
Floor load	443 kg / m ²	443 kg / m ²	443 kg / m ²
Colour	RAL 9003	RAL 9003	RAL 9003

Installation requirements

	X 1	X 1 - S	X 1 - SL
Power supply	230 V, 208V; 50 / 60 Hz, 1+N+PE	230 V, 208V; 50 / 60 Hz, 1+N+PE	230 V, 208V; 50 / 60 Hz, 1+N+PE
Power consumption	1,2 kW	1,2 kW	1,2 kW
Fuse protection	16 A	16 A	16 A
Operating voltage	24 V	24 V	24 V
Air supply	5 - 6 bar	5 - 6 bar	5 - 6 bar

Print Parameters

	X 1	X 1 - S	X 1 - SL
Print speed	10 - 200 mm/s	10 - 200 mm/s	10 - 200 mm/s
Print pressure	40 - 400 N	40 - 400 N	40 - 400 N
Print mode	Print - Print Print - Flood Flood - Print Alternating print	Print - Print Print - Flood Flood - Print Alternating print	Print - Print Print - Flood Flood - Print Alternating print

Material to be printed

	X 1	X 1 - S	X 1 - SL
Frame size min.	300 x 300 mm	300 x 300 mm	300 x 300 mm
Frame size max.	590 x 800 mm	590 x 800 mm	740 x 800 mm
Print format min.			
Print format max.	350 x 450 mm	350 x 450 mm	460 x 460 mm
Print material thickness	0,1 - 25,4 mm	0,1 - 25,4 mm	0,1 - 25,4 mm
Positioning			

Machine Capability

	X 1	X 1 - S	X 1 - SL
Repeat accuracy-mechanical	+/- 15 µm	+/- 15 µm	+/- 15 µm

Options

Stencil cleaning (only X1-S and X1-SL)
 Manual optical positioning
 Adjustable print area for PCBs

* other dimensions on request

Specifications are subject to change without prior notice. Please check with your local sales contact for the latest.