

X4 Base

Automatic Screen and Stencil Printer



Description

The machine works with an accuracy of +/- 15 µm @ 4 sigma, ensuring highest precision.

The standard features of this machine are shared by the entire range of EKRA stencil printers which guarantees our customers full functionality for all - even the most basic - versions.

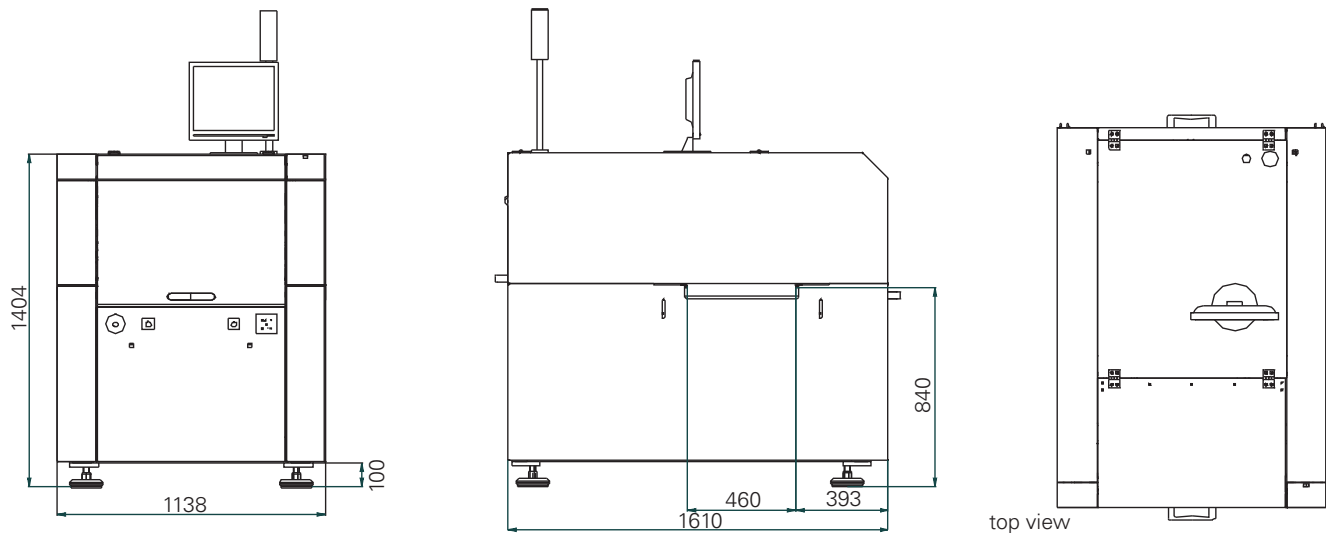
The use of an open-can control system has allowed us to set new standards for cost-efficient manufacturing processes and product maintainability.

The machine is equipped with a stencil frame of 29" x 29" max. (737 x 737 mm) and can accommodate screens and stencils in sizes between 300 x 300 mm and 737 x 737 mm. The size of the maximum printable surface ranges from 80 x 50 mm to 460 x 460 mm.

Special features

- _ Vision system
- _ PC-controlled system
- _ User friendly software
- _ Quick reconfiguration
- _ Easy-to-use operational features reduce potential for errors

X4 Base Automatic Screen and Stencil Printer



Printer dimensions

Length x width x height *	1138 x 1610 x 1404 mm
Weight	ca. 720 kg
Ground pressure	ca. 409 kg/m ²
Colour	RAL 7015 / SF 700

* other dimensions by request

Installation requirements

Power requirements	230 VAC, 208 VAC; 50 / 60 Hz L+N+Ground
Power consumption	1.2 kW
Main fuse	16 A
Operating voltage	24 VDC
Air supply requirements	5 - 6 bar
Air consumption	10 - 15 l/min

Print parameters

Print speed	9 - 200 mm / s
Print pressure	0 - 260 N
Print mode	Print - Print Print - Flood Flood - Print Alternating print

Print material

Stencil size min.	300 x 300 mm
Stencil size max.	740 x 740 mm
Print area min.	80 x 50 mm
Print area max.	460 x 460 mm
Print material thickness	0.5 - 6 mm
Positioning	Fiducial recognition

Machine capability

Repeat accuracy	+/- 15 µm @ 4 Sigma
Cycle time	14 s + print time

Options

- Inspection of stencil (bottom side)
- Paste dispenser (fix)