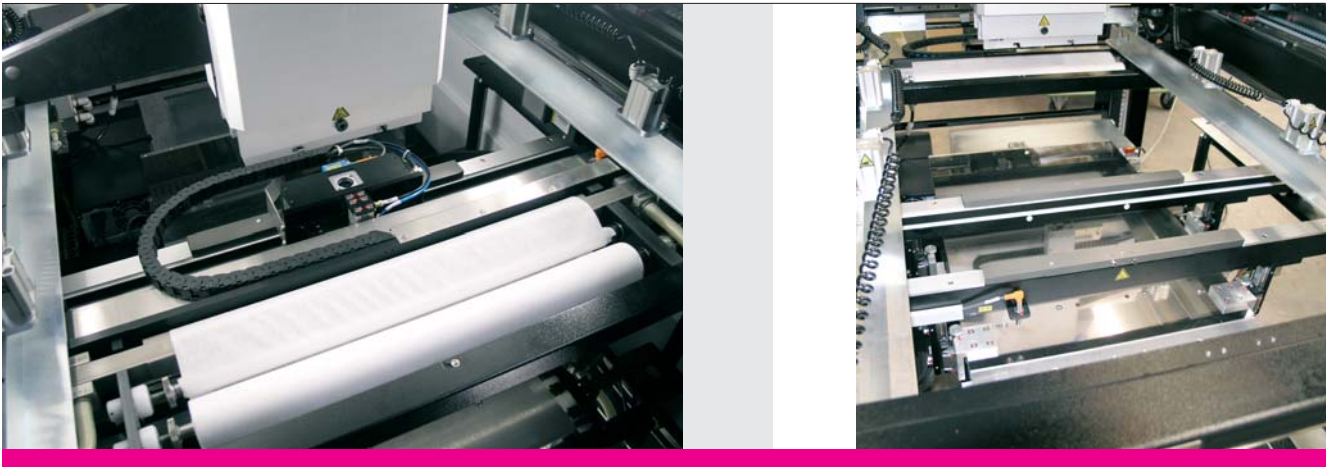


X4 Professional

Automatic screen-printing and stencil-printing machine



Description

The standard version of the X4 Professional comes with stencil-cleaning and stencil inspection functions as well as a 2½-D postprint inspection capacity. The integration of closed squeegee systems (Proflow) has also been enabled. The use of an open-can control system has allowed us to set new standards for cost-efficient manufacturing processes and product maintainability. The integration of linear scales into the camera system permits accuracy levels of +/- 15 µm @ 6 sigma.

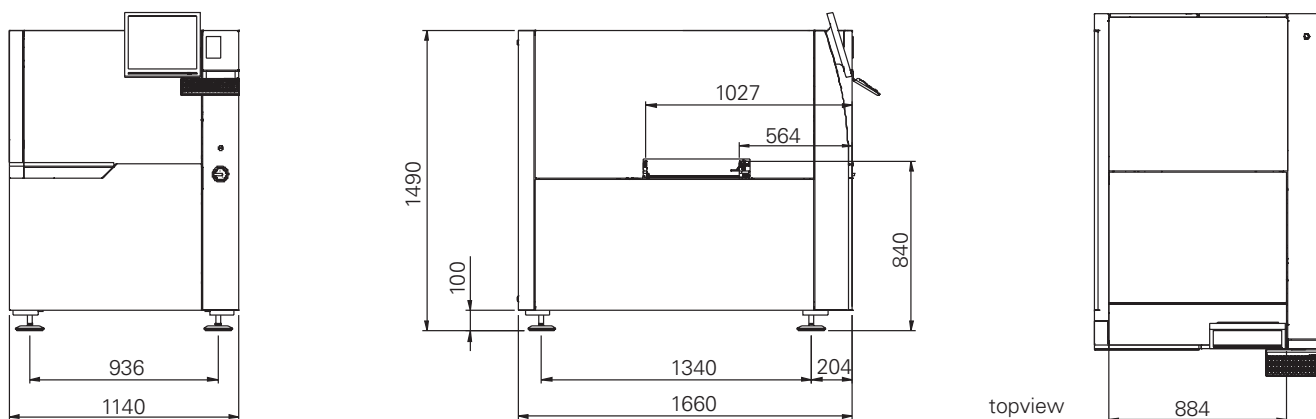
The machine is equipped with a stencil frame of 20" x 20" max. (737 x 737 mm) and can accommodate screens and stencils in sizes between 300 x 300 mm and 737 x 737 mm. The size of the maximum printable surface ranges from 80 x 50 mm to 460 x 460 mm.

Specific features and benefits

- _ Excellent price / performance ratio
- _ Vision system
- _ User friendly software
- _ Quick reconfiguration
- _ Easy-to-use operational features reduce potential for errors

The design reflects the "One Design Platform" concept with its basic principles of functionality and sturdiness. The machines also provide a high level of operating transparency, are easy to operate and have been ergonomically optimized.

X4 Professional Automatic screen-printing and stencil-printing machines



Printer dimensions

Length x Width x Height *	1140 x 1660 x 1490 mm
Weight	approx.: 720 kg
Ground pressure	approx.: 409 kg / m ²
Colour	RAL 9003

Installation requirements

Power requirements	230 VAC, 208VAC; 50 / 60 Hz L+N+Ground
Power consumption	1.2 kW
Main fuse	16 A
Operating voltage	24 VDC
Air supply requirements	5 - 6 bar
Air consumption	10 - 15 l / min

Squeegee

Squeegee speed	10 - 200 mm / s
Squeegee pressure	0 - 260 N
Squeegee mode	Double print Print / Flood Flood / Print Alternating print

Print material

Stencil size min.	
Stencil size max.	300 x 300 mm
Print area min.	736 x 736 mm
Print area max.	80 x 50 mm
Print material thickness	460 x 460 mm
Positioning	0.5 - 6 mm
	Fiducial recognition

Process

Alignment repeatability	
Cycletime	+/- 15 µm @ 6 Sigma 12 s + print time

* other dimensions by request

Options

- Automatic paste dispenser
- ProFlow integration
- SPC interface

The manufacturer reserves the right to change the design and technical data of his products without notice.
Please contact your distributor for the latest information.