

X6

Automatic screen-printing and stencil-printing machine



Description

Large board dimensions, different conveyor modes for different throughput rates and a new high-speed inspection function - these are the key product features of the X6. Printing tables with different designs for different versions allow solder paste printing on partly assembled circuit boards (i.e. components mounted on the opposite side) with formats of up to 610 x 550 mm. The choice of the right circuit-board conveying system is determined by the required throughput rate. The single-track system conveys the circuit-board safely through the printer and requires a handling time of only 12 seconds.

The single-conveyor HSP version with its tripartite conveyor belt shortens this handling time to less than 7 seconds.

The new high-end version of the EKRA 2 1/2-D postprint inspection delivers several images from up to 4 inspection stations every second, thanks to the use of the latest linear engine drive technology. The use of a larger camera sensor increases the field

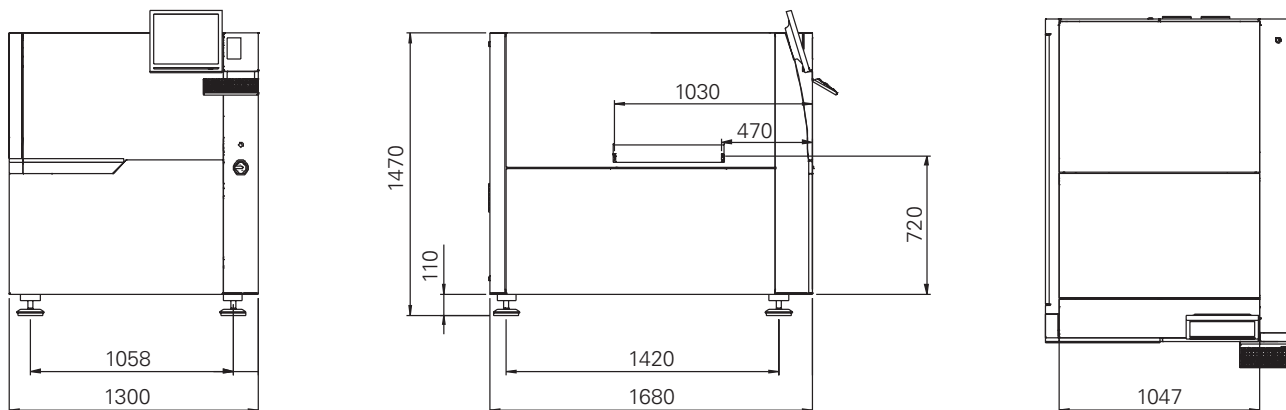
Specific features and benefits

- _ Automatic inline system
- _ Optical positioning system with CCD cameras
- _ User-friendly software
- _ Repeatability +/- 12.5 µm @ 6 sigma
- _ Stencil cleaning unit
- _ ProFlow system (optional)

of view threefold without any loss in resolution, ensuring that the 2 1/2-D postprint inspection system delivers consistently better results than the so-called line-scanner solutions and allowing a thorough analysis of the solder paste printing quality on the basis of its images.

Standard version with adjustable squeegee pressure and as a VIP head with weight compensation and fine-tuning for the squeegee power. The automatic stencil-cleaning function also features in the basic version.

X6 Automatic screen-printing and stencil-printing machine



Printer dimensions	X6	X6 HSP
Length x Width x Height	1300 x 1680 x 1470 mm	1300 x 1680 x 1470 mm
Weight	approx.: 950 kg	approx.: 950 kg
Color	RAL 7015/ SF 700	RAL 7015/ SF 700

Installation requirements	X6	X6 HSP
Power requirements	230 VAC, 208VAC ; 50/60 Hz L+N+Ground	230 VAC, 208VAC ; 50/60 Hz L+N+Ground
Power consumption	1,2 kW	1.2 kW
Main fuse	16 A	16 A
Operating voltage	24 VDC	24 VDC
Air supply requirements	5 - 6 bar	5 - 6 bar
Air consumption	10 - 15 l/min	10 - 15 l/min

Squeegee	X6	X6 HSP
Squeegee speed	9 - 200 mm/s	9 - 200 mm/s
Squeegee pressure	0 - 260 N	0 - 260 N
Squeegee mode	Double print Print / Flood Flood / Print Alternating print	Double print Print / Flood Flood / Print Alternating print

Print material	X6	X6 HSP
Stencil size min.	350 x 350 mm	350 x 350 mm
Stencil size max.	920 x 920 mm	920 x 920 mm
Print area min.	80 x 50 mm	80 x 50 mm (High speed mode) 80 x 50 mm (Standard mode)
Print area max.	508 x 508 mm optional: 610 x 550 mm	250 x 508 mm (High speed mode) 508 x 508 mm (Standard mode)
Print material thickness	0.5 - 6 mm	0.5 - 6 mm
Positioning	Fiducial recognition	Fiducial recognition

Process	X6	X6 HSP
Alignment repeatability	+/- 12,5 µm @ 6 sigma	+/- 12.5 µm @ 6 Sigma 7 s + print time (High speed mode)
Cycletime	12 s + print time	12 s + print time (Standardmode)

Options

See List of options

The manufacturer reserves the right to change the design and technical data of his products without notice.
Please contact your distributor for the latest information.